

SONY® Service Bulletin

NO: HIF12-99-001

SUBJECT: MDM-3 MECHANICAL CHASSIS AVAILABLE

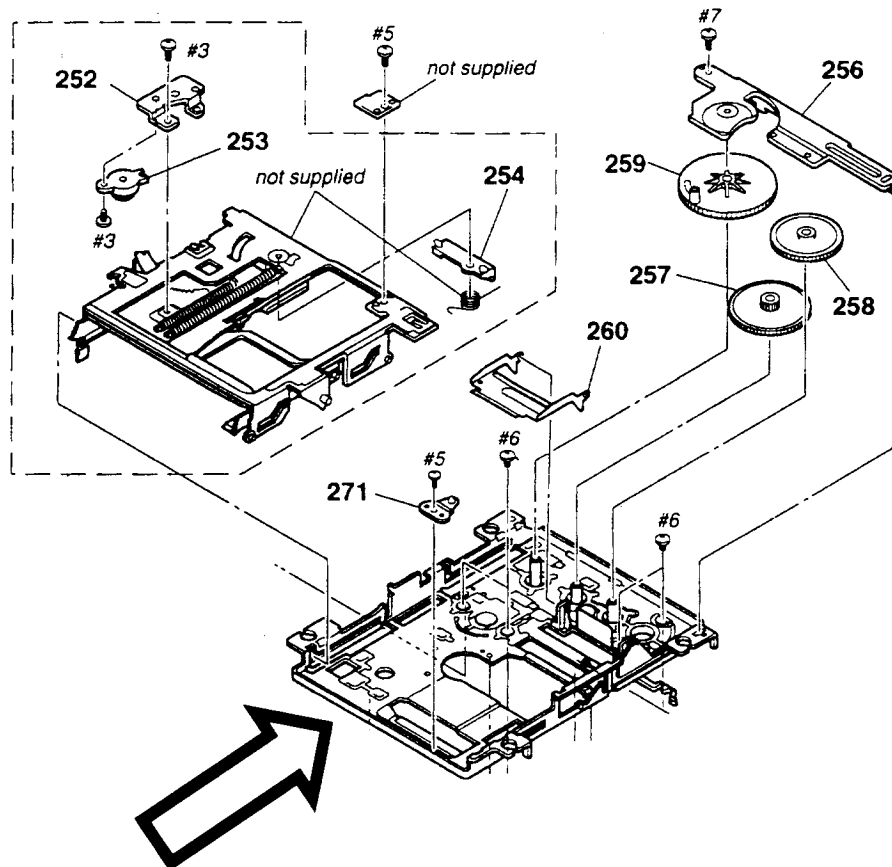
DATE: JAN. 1999

MODEL (S): MDS-S38/S39/JE500/JE510/JE700, HCD-MD1EX/MD333

SYMPTOM: The MDM-3 Mechanical Chassis is now available.

SOLUTION: Use the following part number when ordering.

DESCRIPTION	PART NUMBER
MDM-3 CHASSIS	4-983-435-04



SONAM 582
AU98042

Sony of Canada Ltd.

115 Gordon Baker Road, Toronto, Ontario M2H-3R6
NATIONAL LAB - CONSUMER SERVICE